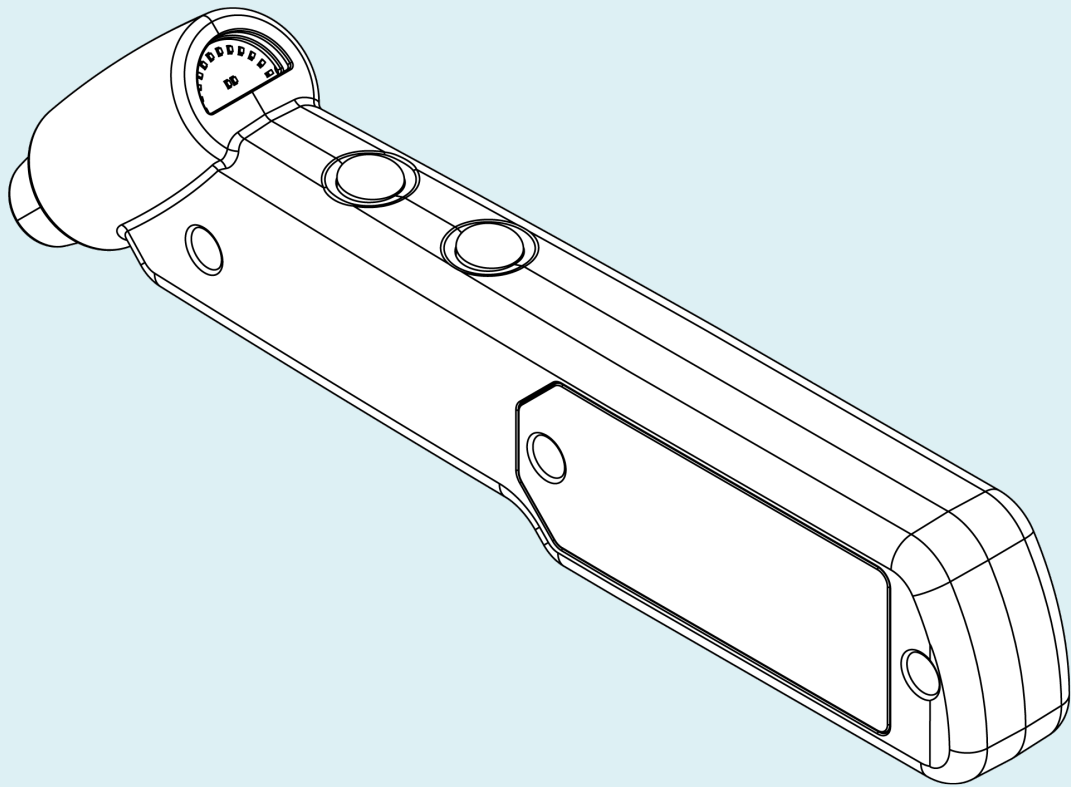

GetMet

A MEDICAL METAL DETECTOR



A REVOLUTION IN MEDICAL METAL DETECTION BY ORTOTEC FINLAND

www.getmet.com

OVERVIEW

The GetMet is a new handheld, easy-to-use, and noninvasive method for metal detection especially designed for surgical procedures in an office environment, first aid, operating theatres, field and military use.

Metallic particles, such as screws, wires and other foreign metal bodies in soft tissue and bone can sometimes be a real problem to the patient by causing pain, irritation, and infection to name a few, but also to the surgeon addressing these issues. The only method generally available for detecting these metallic particles is the X-ray, which is inconvenient, clumsy, costly, and exposes the patient and the personnel to radiation. After years of meticulous R&D, the GetMet is now here to provide a modern solution to this problem.

USER EXPERIENCES

"A pin from a wire brush accidentally got lodged under the skin of the chest. The pin caused distress to the patient. It was not palpable. The radiologist marked the site using a transilluminator. I could not find the pin, so I thought of using the GetMet apparatus we have on trial. I put it in a sterile glove and very soon found the pin."

Camilla Vesakas, Surgeon
Hospital of Central Finland, Jyväskylä

"A serious vaginal rupture during delivery - the midwife broke the suture needle. I was called to look for the needle - I was given an exact description of the site of the needle. After half an hour of searching in vain, I remembered my colleagues' GetMet device. I put it into a sterile operating glove and started to search again. After two minutes the detector found the needle fragment elsewhere. I made a small incision and retrieved the broken needle (about 5 mm in length)."

C-M Löfhjelm, Gynaecologist
Hospital of Central Finland, Jyväskylä

CONTACT US

Ortotec Finland

Office UK: 52B Berkshire Road, Henley on Thames, RG9 1NA, Oxon

Office Finland: Fredrikinkatu 45a 13, 00100 Helsinki

info@getmet.co & nikke@getmet.co | +44 77 221 44 697

www.getmet.co

GetMet